

Initial Problems for quiz preparation – Chapter 2

Problem 2.18 is a basic voltage divider. You can ignore the defined directions and polarities and choose your own. You should know the algebraic solution for the output voltage of a voltage divider. Problem 2.23 is also a voltage divider.

Problem 2.44 adds a parallel resistor to the voltage divider. This is the same problem in the Topspice lecture. Problem 2.69 is a similar circuit.

Problem 2.67 is a bridge circuit. You can think of the bridge circuit as two voltage dividers.

Rest of the problems

Find the current i in the 90 ohm resistor in Figure 1.

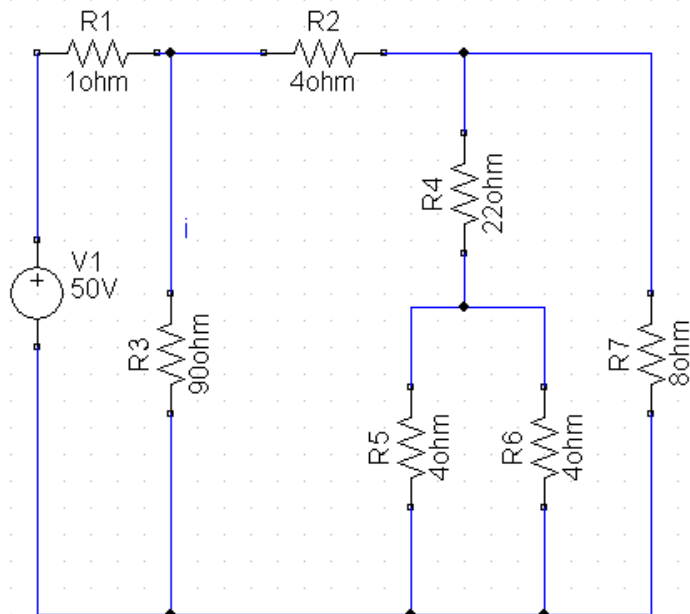


Figure 1

Find the voltage v across the 250 ohm resistance in Figure 2.

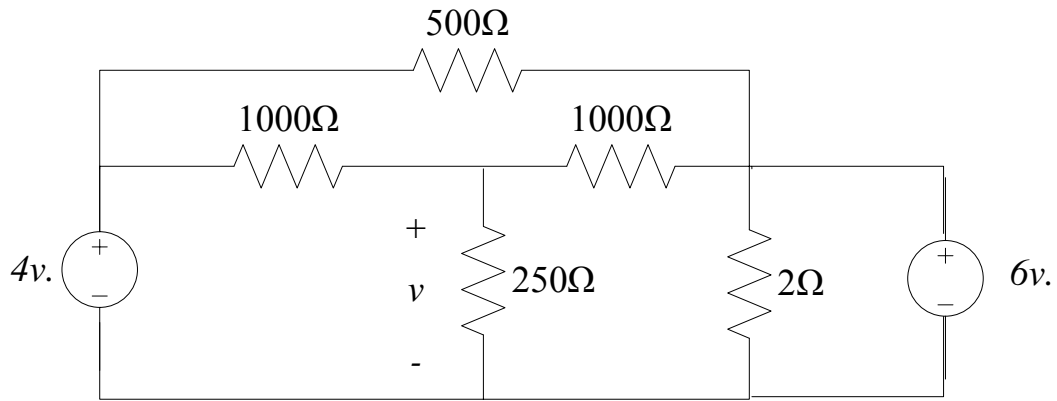


Figure 2

Find the voltage v across the 250 ohm resistance in Figure 3.

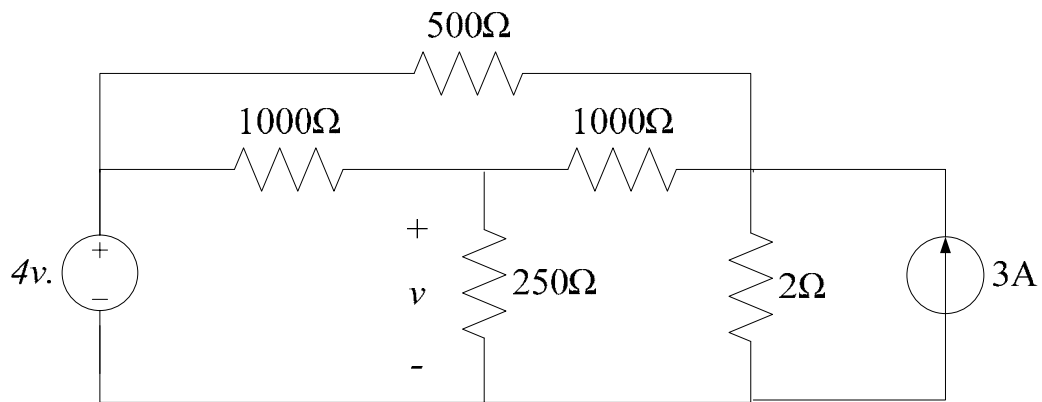


Figure 3